

PURE (BF80S)

SILENCE

FEELING

SENSE

WHISPER

SPECTRA NOVA

CADRA NOVA

MISTY

Room-sealed built-in gas-fireplace with "Log Burner Technology"

40010556
39-04



Installation guide and user manual



 **faber**

1 Index:

1	Index:	3
2	Introduction	5
3	Safety and general information	6
3.1	General safety	6
4	Installation requirements	8
4.1	Builders opening and surround	8
4.2	Flue requirements	10
4.3	Tables for determining the right flue restrictor	12
4.3.3	Terminal position	15
4.3.4	Using an existing chimney as air inlet	17
5	Instructions for installation	18
5.1	Gas Connection	18
5.2	Preparing the appliances	18
5.2.3	Preparing the Sense	19
5.2.4	Preparing the Widescreen and Whisper	19
5.2.5	Preparing the Pure (BF80S)	21
5.2.6	Preparing the Misty	22
5.2.7	Preparing the Spectra Nova and Cadra Nova	24
5.3	Placing the appliance	25
5.4	Placing the log set	27
6	Installation of the flue	29
6.1	Connection with use of concentric duct material	29
6.2	Connection onto an existing chimney	29
6.3	Remote control	31
6.3.1	Installation remote control	32
6.3.2	Setting the right transmission code	32
7	Commissioning (functional checks)	33
7.1	Check pilot ignition	33
7.2	Functional burner check	33
7.3	Functional balanced flue check	34
7.4	Check reference pressure and burner pressure	34
8	Final check and handing over	36
9	Servicing	Fout! Bladwijzer niet gedefinieerd.
8.1	Routine servicing	37
8.1.1	Cleaning the glass	37
8.1.2	Cleaning the combustion chamber and burner	38
8.1.3	Burner tray (dis)assembly	38
8.1.4	Gas control block	39
8.2	Propane conversion	39
8.3	Combustion tests	39
8.4	List of spare parts	40
User guide		45
9	Safety instructions for the user	47
9.1	General safety instructions	47
10	Controlling the appliance	49
10.1	General	49
10.2	To light	50
10.3	To extinguish	50
10.3.1	When the pilot extinguishes	50
10.4	Remote control versions	51
10.4.1	Using the remote control	51

10.4.2	Setting the right transmission code.....	51
10.4.3	Changing the batteries.....	52
11	Cleaning and service instructions.....	53
12	Disposal of packaging and appliance	54

2 *Introduction*

Note: these instructions should be read carefully and retained for future reference. Please leave these instructions with the user.

This guide is concerning the following types of appliances:

- Widescreen interior: Types Silence and Feeling
- Roundscreen interior: Type Misty
- MV100/MV200 interior: Type Spectra Nova and Whisper
- MV150 interior: Types and Cadra Nova

Special features:

- Realistic flame and glow effect because of the "Log burner" technology.
- Room sealed appliance, inlet and outlet are led to the outside using a natural draught concentric pipe system (100 mm/150 mm) (no power fan required). No additional ventilation required.
- Air supply and flue-gases go to outside atmosphere through wall or roof. A maximum horizontal extension of 6 meters is possible.
- Remote Control option on all appliances.
- Meets the essential requirements of the European Gas Appliance Directive (GAD) and carries the CE mark.

3 *Safety and general information*

- Before installation, ensure that the local distribution conditions (identification of the type of gas and pressure) and the adjustment of the appliance are compatible.
- This gas appliance is factory set and shall not be adjusted by the installer.
- This appliance does not contain any component manufactured from asbestos or any asbestos related products.
- The pilot and flame sensing device fitted to this fire is also a safety device. If for any reason any part of the pilot assembly is to be replaced the entire assembly including the pilot burner, thermocouple, electrode and injector must be exchanged complete for a pilot assembly from the original manufacturer only.

Ventilation

This appliance is room-sealed and doesn't require purpose provided ventilation.

3.1 General safety

It is the law in the UK that **all** gas appliances, are installed by a competent person in accordance with the Gas Safety (Installation and Use) Regulations (as amended), the relevant British Standards for Installation work, Building Regulations, Codes of Practice and the manufacturers instructions.

The installation should also be carried out in accordance with the following where relevant:

- BS5871 Part1 BS5440 Parts 1 & 2 BS1251.
- Building Regulations Document J (as applicable).

Building Regulations and Standards issued as relevant by the Department of the Environment or the Scottish Development Department.

In the Republic of Ireland installation should be carried out in accordance with IS813, ICP3, IS327, Building Regulations, Codes of Practice, the manufacturers instructions and any other rules in force.

Failure to comply with the above could leave the installer liable to prosecution and invalidate the appliance warranty.

Safety instructions for the user: see chapter 9.

4 *Installation requirements*

Note:

Since the appliance is a source of heat, circulation of air occurs. Therefore it is of importance that you do not use the appliance shortly after a renovation of the home. Because of the natural circulation of air, moist and volatile components from paint, building materials, carpet etc. will be attracted. These components can settle themselves down onto cold surfaces in the form of soot.

As on all heat producing appliances, soft furnishings such as blown vinyl wallpaper placed too near to the appliance may become scorched or discoloured. This should be born in mind when installing the appliance.

4.1 Builders opening and surround

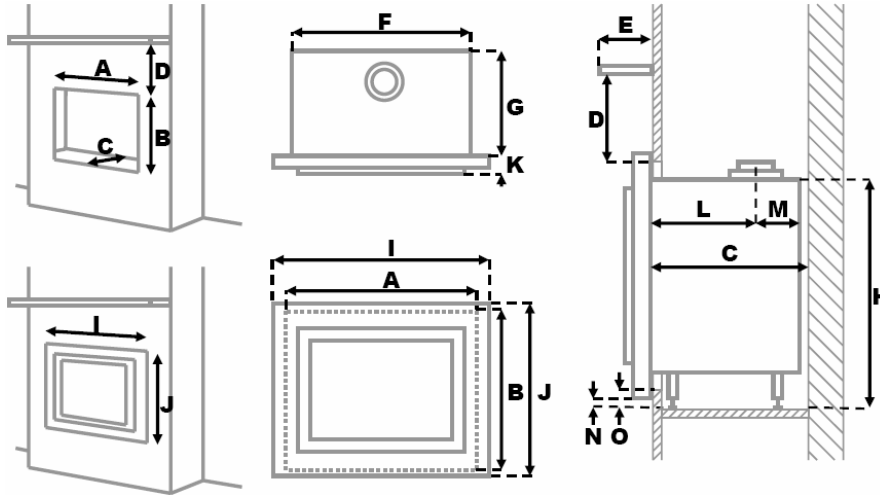
The appliance can be installed in the following situations:

In a non-combustible fireplace or builders opening. This could be either an existing builders opening or a new made prefab builders opening. For the measurements, see figure 1 and index.

Although the appliance is tested for installation without a hearth, the appliance must not stand on combustible materials or carpets. If the appliance is placed on a combustible floor then a fibrelux or similar heatproof board of 12 mm thickness should be placed under it. Any under floor vents or openings within the builders opening should be sealed off.

Do not place the lintel, surround or marble stone directly onto the appliance. If possible, apply a lintel made of cement or something similar.

Insulate the appliance with a ceramic blanket (25 mm). See also chapter 4: Installation instructions. Preferred choice for insulation is unbound insulation wool (at 1000 °C gives no smell).



	Builders opening (mm)	Feeling	Sense	Silence	Pure (BF80S)	Whisper	Spectra Nova	Cadra Nova	Misty
Builders opening (mm)									
A	Opening width	960	960	960	760	780	780	680	710
B	Opening height	649	649	649	670	705	698	798	890
C	Opening depth (min.)	385	385	385	397	430	430	430	370
Shelf dimensions									
D	Minimum height shelf from top frame	350	350	350	350	350	350	350	350
E	Depth shelf	150	150	150	150	150	150	150	150
Dimensions of the appliance (mm)									
F	Box width	880	880	880	750	750	750	650	698
G	Box depth	369	366	369	397	397	375	375	338
H	Box height	636	636	636	714	714	715	815	879
I	Frame width	1064	1136	1064	795	815	794	694	740
J	Frame height	678	750	678	795	720	703	803	905
K	Frame thickness	47	57	20	35	16	30	30	144
L	Position flue collar measured from frame	255	255	255	255	257	235	235	196
M	Position flue collar measured from back	111	111	111	142	140	140	140	142
N	Height underside foot to underside frame	17	-20	17	-7	8	0	0	?
O	Height underside foot to builders opening	≥ N (=dimensions in the row above)							

tabel 1

*point A to C have a tolerance of -0 mm and +5 mm.



If the builders' opening is constructed out of non-combustible composition board (Fibrelux) and you install the appliance without a mantel then:

- Ventilate the space above the appliance (min. 1000 mm²).
- Always fit the DC convection set.
- The plaster of the outside has to be resistant to a high temperature. Use therefore the plaster materials especially made for this, to prevent discoloring (min. 100 °C temperature resistant).
- Make sure the plaster dries well: 1 day for every millimetre plaster applied, e.g. 4 mm plaster should dry for at least 4 days before the appliance is used.

If the appliance is to be fitted against a wall with combustible cladding, the cladding must be removed from the area covered by the surround.

The minimum height from the top surface of the fire to the underside of any shelf made from wood or other combustible materials is as follows:

- For a shelf up to 150 mm deep - Minimum height = 350 mm (fig. 1).
- If the shelf depth is greater than 150 mm add 50 mm to the upperclearance height for every 25 mm increase in shelf depth.
- Side clearance = Minimum distance from the side of the fire frame to combustible material = 150 mm.

4.2 Flue requirements

- The appliance is of the type C11/C31. The appliance will need to be supplied with the approved flue pipes and terminal, it is not possible to supply your own.
- The minimum effective height of the flue system must be 0.5 or 1 meter, depending on the appliance.
- Terminal locations, through the wall and roof. See fig. 3.

Flue routing;

- a horizontal extension with elbows is allowed for a maximum of 6 meters (depending on the type and situation).
- vertical max. 12 meters.

Determine on the base of the table 2 and 3, depending on the type and terminal position, if the desired situation is possible. To establish this you will need to calculate:

- The effective height (this is the real difference in height between the upper side of the appliance and the terminal).
- The total horizontal flue length, where:
 - each elbow, which is in the horizontal area, counts for 2 meters.
 - each 45°-bend, which is in the horizontal area, counts for 1 m
 - elbows and bends at the transition of horizontal to vertically are not to be counted.
 - the wall mounted terminal counts for 1 meter.

Flue restrictor

If applicable, in the table is also stated the size of a flue restrictor. This restrictor needs to be fitted in the combustion chamber when placing the appliance (see chapter 4.2). Normally the smallest flue restrictor is fitted.

Example calculation 1:

Calculating horizontal extension fig. 2a:

Flue lenght C + E = 1m + 1m	2 m
Elbows D = 2m	2 m
Total horizontal extension	4 m

Measure or calculate effective height (Hvert)

Flue lenght A	1 m
Roof mounted terinal	1 m
Total effective height	2 m

When calculating on basis of the Widescreen table nr. 2: It is allowed.
Remove the flue restrictor!

When calculating on basis of the MV100 table nr. 3: Allowed but without flue

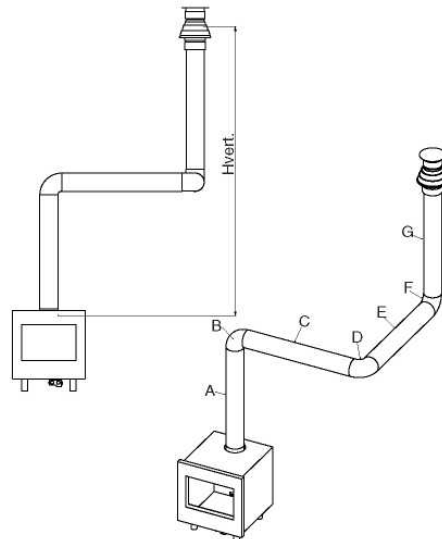


fig. 2a

restrictor. Remove the flue restrictor!

When calculating on basis of the MV150 table nr. 4: Allowed but without flue restrictor. Remove the flue restrictor!

When calculating on basis of the Roundscreen table nr. 5: Allowed but without flue restrictor. Remove the flue restrictor!

Example calculation 2

Calculation horizontal extension fig. 2b:

Flue length J + L = 0,5 + 0,5	1 m
Elbows K + M = 2m + 2m	4 m
Terminal	1 m
Total horizontal extension	6 m

Calculation effective height (Hvert)

Flue length H	1 m
---------------	-----

When calculating on basis of the Widescreen table nr. 2: Combination not allowed.

When calculating on basis of the MV100 table nr. 3: Allowed but without flue restrictor. Remove the flue restrictor!

When calculating on basis of the MV150 table nr. 4: Combination not allowed.

When calculating on basis of the Roundscreen table nr. 5: Combination not allowed.

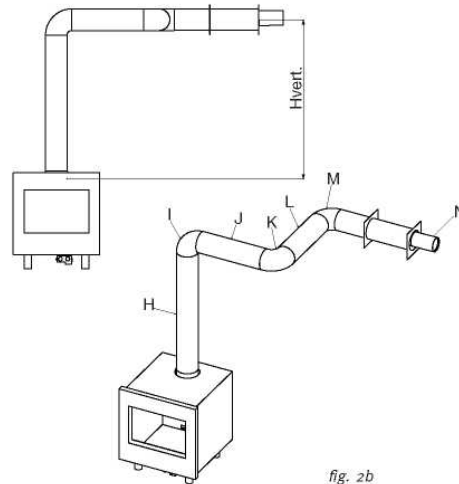


fig. 2b

4.3 Tables for determining the right flue restrictor

Calculate the total horizontal- and vertical length of the flue, according to the calculations displayed above. Determine according to tables 2, 3, 4 and 5 on the following pages the right flue restrictor size. When meeting an X, and when the values are outside the table, the combination is not allowed. **Normally the 30 mm flue restrictor is preinstalled.**

Table 2: Widescreen (Feeling, Silence, Sense)

		Horizontal length in m						
		0	1	2	3	4	5	6
Vertical length in m	0	X	X	X	X	X	X	X
	1	0	0	X	X	X	X	X
	1,5	0	0	0	0	X	X	X
	2	30	30	0	0	0	0	0
	3	45	45	30	30	0	0	0
	4	45	45	30	30	30	0	0
	5	50	50	45	30	30	30	0
	6	50	50	45	30	30	30	0
	7	60	60	50	45	45	30	X
	8	60	60	60	50	50	X	X
	9	65	65	60	60	X	X	X
	10	65	65	65	X	X	X	X
	11	65	65	X	X	X	X	X
12	65	X	X	X	X	X	X	

The numbers in the table represent the width in mm of the flue restrictor

X Combination NOT allowed

0 remove flue restrictor

Table 3: MV200 (Pure (BF80S), Spectra Nova, Whisper)

		Horizontal length in m						
		0	1	2	3	4	5	6
Vertical length in m	0	X	X	X	X	X	X	X
	1	30	0	0	0	0	0	0/X*
	2	30	30	0	0	0	0	0
	3	45	45	30	0	0	0	0
	4	45	45	30	0	0	0	0
	5	50	50	45	45	30	0	0
	6	50	50	45	45	30	0	0
	7	60	60	60	50	50	45	X
	8	60	60	60	60	50	X	X
	9	65	65	60	60	X	X	X
	10	65	65	65	X	X	X	X
	11	65	65	X	X	X	X	X
	12	65	X	X	X	X	X	X

The numbers in the table represent the width in mm of the flue restrictor

X Combination NOT allowed

0 remove flue restrictor

Tabel 4: binnenwerk MV150 (Cadra Nova)

		Horizontal length in m						
		0	1	2	3	4	5	6
Vertical length in m	0	X	X	X	X	X	X	X
	0,5	X	0	X	X	X	X	X
	1	X	30	0	0	0	0	0
	2	40	30	0	0	0	0	0
	3	40	40	30	0	0	0	0
	4	50	40	40	30	0	0	0
	5	50	50	40	40	30	30	0
	6	50	50	50	40	40	30	0
	7	60	50	50	40	40	40	X
	8	60	60	50	50	50	X	X
	9	60	60	60	50	X	X	X
	10	65	60	60	X	X	X	X
	11	65	65	X	X	X	X	X
12	65	X	X	X	X	X	X	

The numbers in the table represent the width in mm of the flue restrictor

X Combination NOT allowed

0 remove flue restrictor

Tabel 5: binnenwerk Roundscreen (Misty)

		Horizontal length in m						
		0	1	2	3	4	5	6
Vertical length in m	0	X	X	X	X	X	X	X
	0,5	X	0	X	X	X	X	X
	1	X	30	0	0	0	0	0
	0,5	40	30	0	0	0	0	0
	2	40	30	0	0	0	0	0
	3	40	40	0	0	0	0	0
	4	50	40	40	30	0	0	0
	5	50	50	40	40	30	30	0
	6	50	50	50	40	40	30	0
	7	60	50	50	40	40	40	X
	8	60	60	50	50	50	X	X
	9	60	60	60	50	X	X	X
	10	65	60	60	X	X	X	X
11	65	65	X	X	X	X	X	
12	65	X	X	X	X	X	X	

The numbers in the table represent the width in mm of the flue restrictor

X Combination NOT allowed

0 remove flue restrictor

4.3.1 Terminal position

Verify if the required terminal position meets the local installation regulations regarding disturbance, good functioning and ventilation. (Also see: safety requirements).

Note:

The terminal must be located so that the outlet is not obstructed. If the flue terminal is located within 2 meters of a footway, path or where people could come into contact with it then a suitable terminal guard must be fitted.

Terminals located close to shared walkways, footpaths etc. could be subject to legal constraints and this should be pointed out to the customer before installation. If in any doubt about flue location advice should be sought from local building control, or if appliance-related, from the manufacturer including wherever possible a dimensioned sketch.

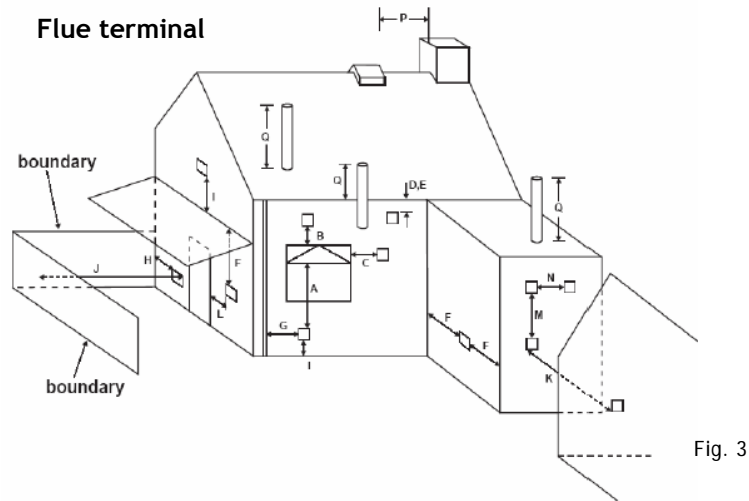
Avoid locating the terminal in close proximity to plastic materials such as gutters or other combustibles. If this is unavoidable then a suitable deflector should be made.

Some important requirements for a good functioning are:

The wall-mounted terminal has to be at least 0,5 m off:

- Corners of the building.
- Below eaves.
- Balcony's etc. unless the duct is dragged to the front side of the overhanging part.

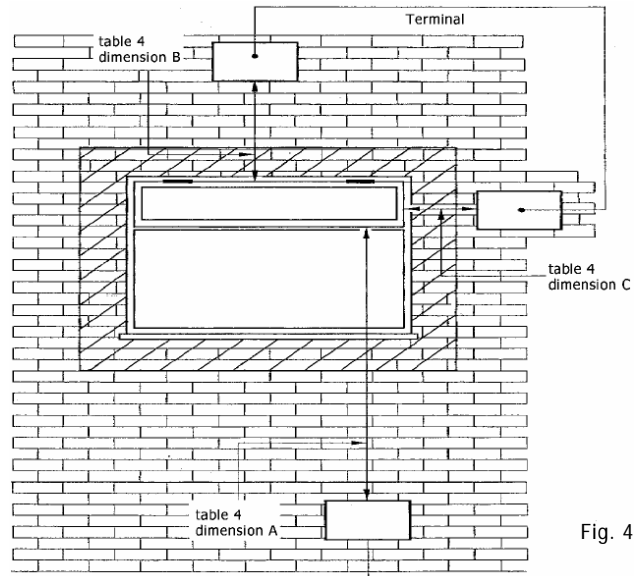
The roof mounted terminal has to be at a distance of at least 0.5 meters of the sides of the roof, excluded the ridge.



Tabel 6

Dimension	Terminal position (kW input 7.5 kW expressed in net)	Balanced flue room sealed Natural Draught
A	Direct below an opening, airbrick, opening windows, etc.	300 mm
B	Above an opening, airbrick, opening window, etc.	300 mm
C	Horizontally to an opening, airbrick, opening window, etc.	300 mm
D	Below gutters, soil pipes or drain pipes	500 mm
E	Below eaves	500 mm
F	Below balconies or cat port roof	600 mm
G	From a vertical drain pipe or soil pipe	300 mm
H	From an internal or external corner	600 mm
I	Above ground level or balcony level	300 mm
J	From a surface facing the terminal	600 mm
K	From a terminal facing a terminal	600 mm
L	From an opening in the carport (e.g. window) into the dwelling	1200 mm
M	Vertically from a terminal on the same wall	1500 mm
N	Horizontally from a terminal on the same wall	300 mm
P	From a vertical structure on the roof	600 mm
Q	Above intersection with roof	500 mm

Example of how terminal position is measured



4.3.2 Using an existing chimney as air inlet

You can connect the appliance onto an existing chimney. The existing chimney then functions as air supply, where a flexible stainless steelliner (to BS715) of 100 mm performs the flue function.

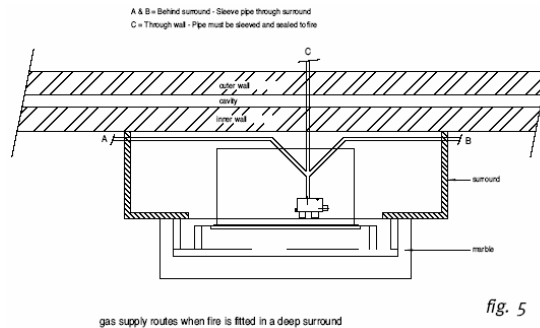
Requirements:

- Any existing chimney used as an air supply must only service this appliance.
- A chimney that has previously been used for solid fuel must be swept before use.
- The existing chimney needs to be airtight.
- The existing chimney needs to have an opening of min. 150 x 150 mm.
- The chimney needs to be intact and well looked after.
- Use the adjustable roof-mounted-terminal especially made for this, and the chimney connection set.
- The minimum distance between two terminals should be at least 450 mm.

5 Instructions for installation

5.1 Gas Connection

- 1) Installation pipes should be in accordance with BS 6891. Pipe work from the meter to the appliance must be of adequate size.
- 2) The complete installation including the meter must be tested for soundness and purged as described in the above code.
- 3) A means of isolation must be provided in the supply to facilitate servicing.
- 4) The connection should be made in 8 mm copper or similar semi flexible tube. (max 1 meter). Ensure that the gas pipe does not interfere with the removal or replacement of the burner tray of the controls.
- 5) The gas connection is nut and olive suitable for 8 mm pipe.



5.2 Preparing the appliances

Before you can install the appliance properly, it is wise to prepare the appliance, because you still have access to all parts of the appliance. These will be barely reachable once the appliance is installed. In the next paragraphs these preparations will be described for the different models.

5.2.3 Preparing the Sense

Pull the underside of the inner frame towards you. Push the blocking strips up. Lift the inner frame and remove it.

5.2.4 Preparing the Widescreen and Whisper

- 1) Open the ashtray door by pushing on the right side for the Silence/Feeling and on the left side for the Whisper. Remove the frame by loosening the screws A behind the door (see fig. 5). Lift and pull forward when you take it away

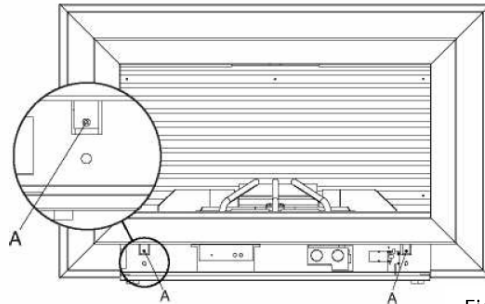


Fig. 3

- 2) Remove the back panel by loosening the screws B (see fig. 6).

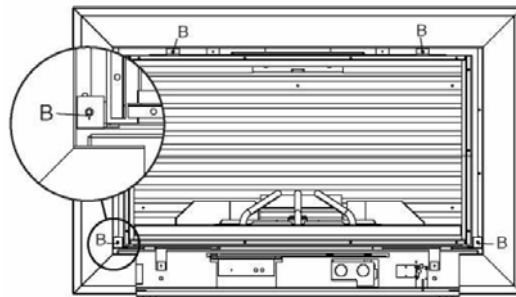


Fig. 4

- 3) Remove the glass by removing the glass clamps C (see fig. 7) for instance with a screwdriver. Careful when removing the glass! Wear gloves! Before placing the glass back, be sure that there are no fingerprints on the glass, it is not possible to remove them when they are burnt in.

- 4) Take the box with the log set out of the combustion chamber.

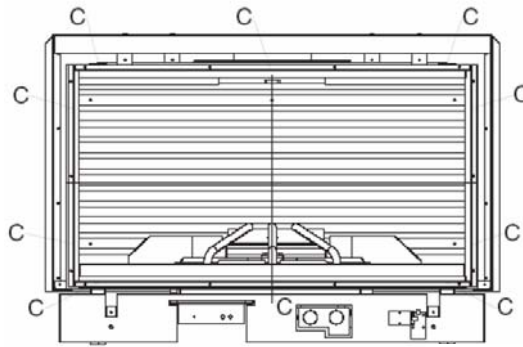


Fig. 5

- 5) Place the right flue restrictor in the combustion chamber. To determine the right flue restrictor, see paragraph 4.2 and 4.3.

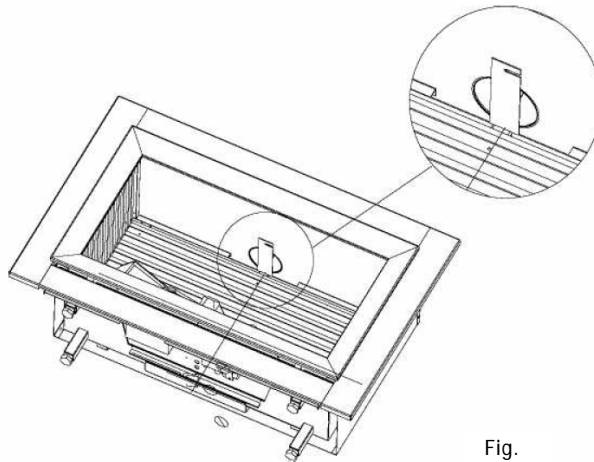


Fig.

Attention:

- If possible, first install the appliance before building up the false chimney breast.
- If possible, install the the appliance, before installing the flue. If this is not possible, a slidable piece of pipe should be used as a connection.

5.2.5 Preparing the Pure (BF80S)

- 1) Remove the frame by lifting it up from its support and taking it away.
- 2) Remove the glass by removing the glass clamps C (see fig. 7), e.g. with a screwdriver. Careful when removing the glass! Wear gloves! Before placing the glass back, be sure that there are no fingerprints on the glass, it is not possible to remove them when they are burnt in.

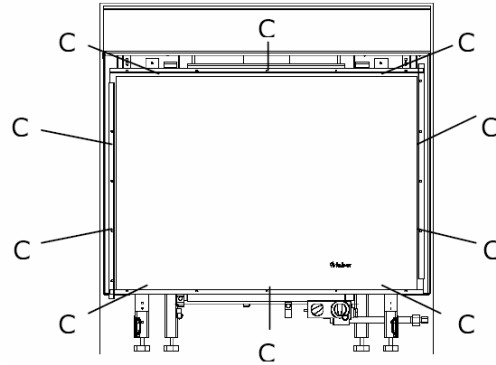


Fig. 7

- 3) Take the box with the log set out of the combustion chamber
- 4) Place the right flue restrictor in the combustion chamber. To determine the right flue restrictor, see paragraph 4.2 and 4.3.

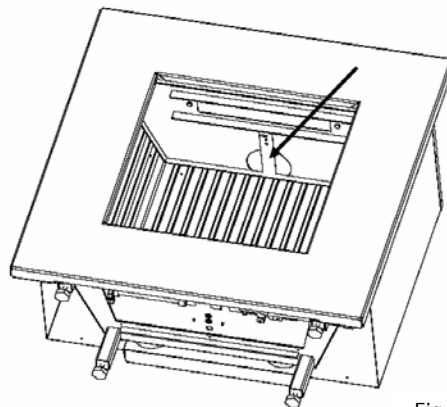


Fig. 8

Attention:

- If possible, first install the appliance before building up the false chimney breast.
- If possible, install the the appliance, before installing the flue. If this is not possible, a slidable piece of pipe should be used as connection.
- Leave a gap between the frame and wall, to ease the lifting and removal of the frame. How this is done is described in paragraph 5.3.

5.2.6 Preparing the Misty

- 1) Remove the door frame. Lift and pull forward (see fig. 10).

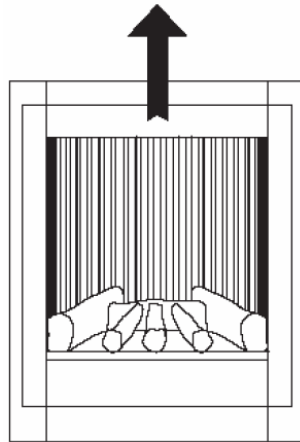


Fig.10

- 2) Remove the outer frame by removing screws B (See fig. 11) and taking away the frame.

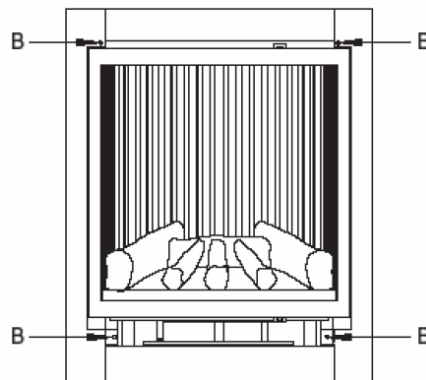


Fig. 11

- 3) To open the door, remove the screws C (see fig. 11). The door opening is limited; Remove the door for more space (lift and pull forward). Be sure that there are no fingerprints on the glass! It is not possible to remove those prints once they are burned in the glass.

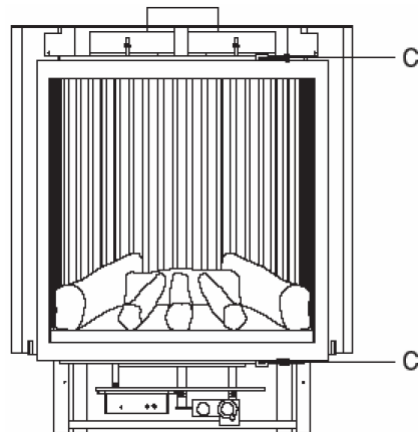


Fig.12

- 4) Take the box with the log set out of the combustion chamber.
- 5) Like in the previous models, place the right flue restrictor in the combustion chamber (see fig. 13). To determine the right flue restrictor, see paragraph 4.2 and 4.3.

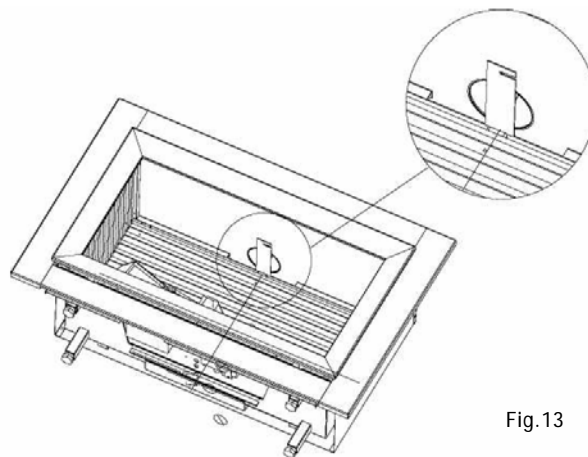


Fig.13

Attention:

- If possible, first install the appliance before building up the false chimney breast.
- If possible, install the the appliance, before installing the flue. If this is not possible, a slidable piece of pipe should be used as connection.

5.2.7 Preparing the Spectra Nova and Cadra Nova

- 1) To open the door, remove the screws A (see fig. 14). Open and remove the door; lift and pull forward. Be sure that there are no fingerprints on the glass. It is not possible to remove those prints once they are burned in the glass.

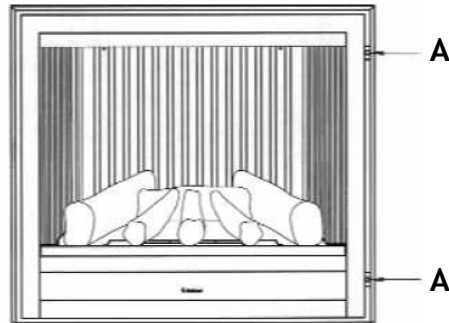


Fig.14

- 2) Remove the outer frame by removing screws B (See fig. 15) and taking away the frame.

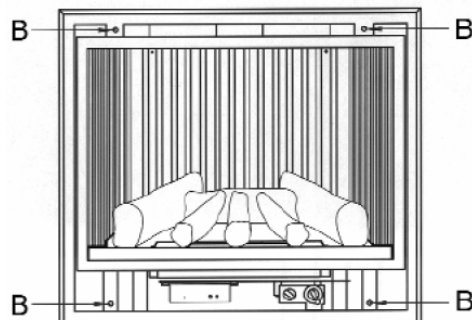


Fig.14

- 3) Take the box with the log set out of the combustion chamber.
- 4) Like in the previous models, place the right flue restrictor in the combustion chamber (see fig. 13). To determine the right flue restrictor, see paragraph 4.2 and 4.3.

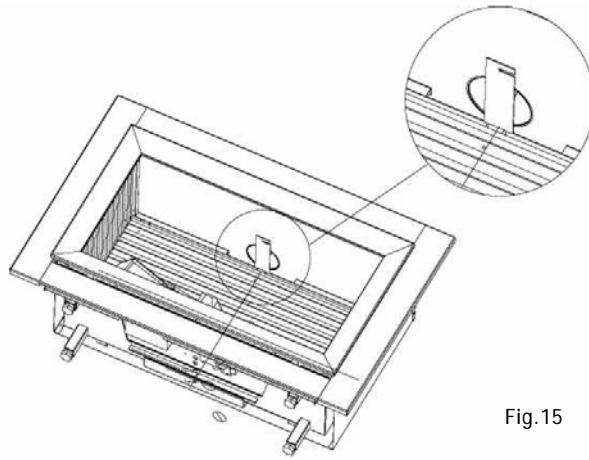


Fig.15

Attention:

- If possible, first install the appliance before building up the false chimney breast.
- If possible, install the the appliance, before installing the flue. If this is not possible, a slidable piece of pipe should be used as connection.

5.3 Placing the appliance

Points of attention for placement:

- If possible, first locate the appliance before assembling the flue.
 - If this is not possible then always use an extendible pipe before connection onto the appliance.
- 1) Position the firebox in the fireplace opening. You can adjust the height with the 4 adjustable feet.
 - 2) Make the gas connection according to the instructions (also see gas connection, chapter 5.1).

- 3) Assemble the flue system onto the firebox (see chapter 5).
- 4) Check if applicable that the safety hatch seals the combustion chamber properly. Do not fasten it at all! If you fasten it, this explosion safety hatch won't function properly!

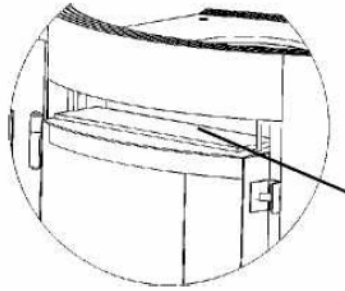


Fig.16: Safety hatch

- 5) If necessary, place the DC convection system (also consult the instruction belonging to the DC construction set).
- 6) If necessary, isolate the firebox with a ceramic blanket (25 mm). Preferred choice for insulation is unbound insulation wool (at 1000 °C gives no smell).

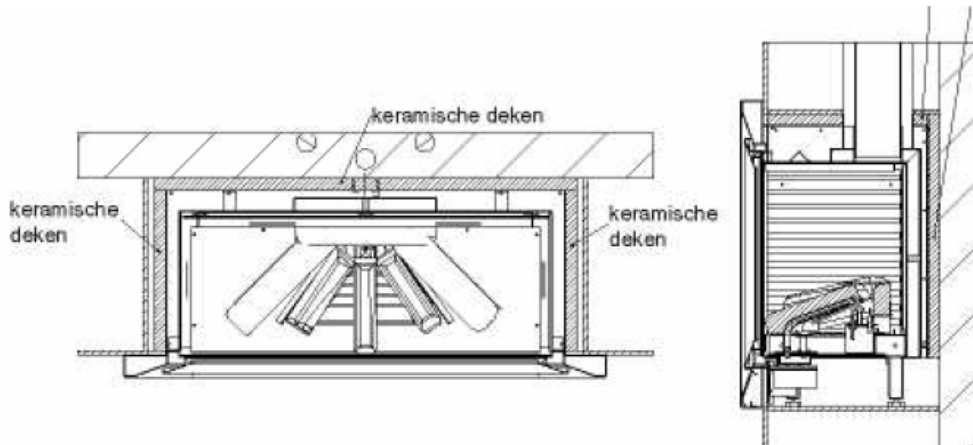


Fig.17

- 7) Place the log set (see placing log set, chapter 5.4).
- 8) Spread, the bags of embers (imitation ashes) provide with the appliance over the burner tray. **Attention!** No embers on the grid end between the logs and the burner tray!
- 9) Before placing the glass; check the glass sealing rope is in good condition and makes an effective seal. Be sure that there are no fingerprints on the glass. It is not possible to remove those prints once they are burned in the glass:
 - Widescreen and Whisper; Place the glass in front of the appliance and fix it with the glass clamps. Replace the frame.
 - Misty, Cadra Nova and Spectra Nova: Place the door and fix it. Check on visual leakages around the door sealing.
- 10) Misty and Widescreen: Fix the outer frame with 4 screws.
- 11) Misty and Widescreen: Mount the inner frame by lifting it in its supports. Secure the frame of the Widescreen by fastening the inner frame with 2 screws.
- 12) Pure: Adjust the position of the frame support by unscrewing two bolts on either side on the inside of the top of the appliance (see fig. 18 and 19). Then slide the support in position and fasten the bolts again. Do the same for the magnets mounted on either side of the bottom of the appliance.

After installation, let the appliance burn for max. an hour. Afterwards, check the glass for possible dirt, dust and other deposit and remove it.

5.4 Placing the log set

Never place extra elements of any kind into the combustion chamber. To guarantee good combustion, the log set may only be installed in the way specified by Faber International. Any other arrangement can lead to soot on logs or window. Do not use the fire with broken or missing logs.



Fig. 20: Log set Widescreen



Fig. 21: Log set Spectra Nova/Whisper



Fig. 22: Log set Cadra Nova



Fig. 23: Log set Misty

On the bottom of the logs is an identification:

- L location on the left side resting on the rear log.
- R location on the right side resting on the rear log.
- 1 dimple first log left placed over the burner and resting on the burner tray.
- 2 dimples placed in the middle over the burner and resting on the burner tray.
- 3 dimples the right side log placed over the burner and resting on the burner tray.

Attention!

- Make sure there are no embers between the logs and the burner tray.
- Make sure the logs are placed on the burners in the right way.

6 *Installation of the flue*

6.1 Connection with use of concentric duct material

- 1) Build the system starting from the appliance on.
- 2) Make a hole of \varnothing 153 mm for the wall or roof mounted terminal.
- 3) Make sure you place the pipes in the right direction, the narrow end towards the appliance.
- 4) Make sure the pipes are fixed sufficiently, a wall clamp every 2m, so the weight of the pipes is not resting onto the appliance.
- 5) The outside of the pipe can become hot (140 degrees). Stay 50 mm away from wall surface or sealing. Make sure to provide sufficiently heat resistant isolation when going through the wall or roof.
- 6) Because of expansion or cooling down the concentric pipes can turn loose. It is recommended to fix the spring clip with a self tapping screw at inaccessible places.
- 7) To get the exact measure flue length you can use cut down concentric pipe, wall mounted terminal or roof mounted terminal. To obtain a smoke sealed connection, the inner pipe must be 20 mm longer than the outside pipe.
- 8) The horizontal pipes need to rise away from the appliance at a rate of 3 degrees per metre.

6.2 Connection onto an existing chimney

You can connect the appliance onto an existing chimney. The existing chimney then functions as air supply, where a flexible stainless steel liner (to BS715) of 100 mm performs the flue function. Any existing chimney used as an air supply must only service this appliance.

Requirements:

- 300 mm of free space above the appliance;

- The chimney only supply's air to this appliance;
- The existing chimney needs to be clean and very well swept;
- The existing chimney needs to be airtight;
- The existing chimney needs to have an opening of min. 150 x 150 mm.

Parts needed for this kind of installation:

- Chimney connection set part number A9225000 Fig 20 part D.
- Short roof terminal part number A9266100 Fig 19 part B
- Chimney closure plate part number A 9240000 Fig 19 part A
- Two stainless steel tubes one 100 mm - length 500 mm and one 150 mm - length 500 mm part number A 9273900 Fig 19 part E and F

- 1) Place the aluminium closure plate (A) onto the chimney. Permanently attach and make airtight.
- 2) Pull the liner (C) through the chimney.
- 3) Connect the liner onto the roof terminal and fix this with the clamp provided with the chimney connection set.
- 4) Place the roof terminal onto the closure plate.
- 5) Fixing the chimney sealing plate (D) and place the 150 mm grommet into the hole of the sealing plate.
- 6) Fix the sealing plate air tight into the builders opening (use the isolation rope from the chimney connection set to make the plate air tight).
- 7) Slide pipe (E) 150mm length 500mm into the sealing plate. Slide this pipe so that you have enough space later on to assemble the liner.

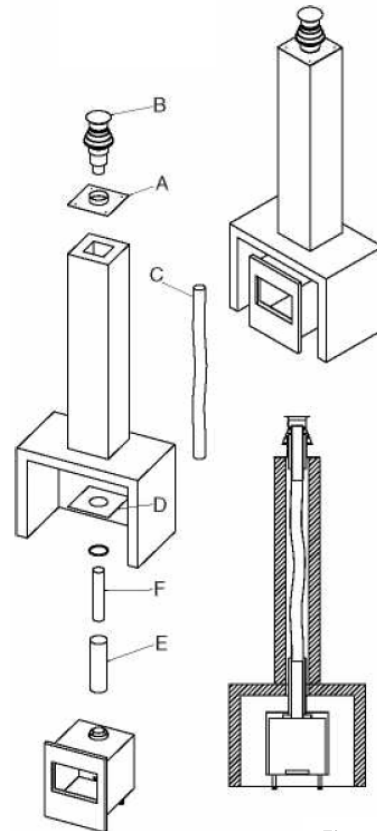


Fig. 24

- 8) Install the appliance.
- 9) Connect the flexible stainless steel liner onto the appliance using the 100mm pipe (F) as adapter.
- 10) If the distance from the flue outlet to the sealing plate is bigger then 300 mm, you have to use a concentric pipe first.
- 11) Slide the outside pipe onto the appliance or concentric extension so that you have a air tight connection.

6.3 Remote control

The remote control is only meant to regulate the flames, it functions only when the pilot burner is ignited. It is therefore not possible to ignited the appliance with the remote control or to shut-off the pilotflame. The radio-frequency remote control is intended for fireplaces installed in a domestic setting in all EU countries except Austria, Denmark, Finland and Greece.

Features:

- Manual control will always remain possible.
- The remote control is a radio frequency type and has been approved internationally.
- The remote control generates a unique safety code every time you activate the transmitter, its similar to those used in a car.
- The remote control is easy to install retrospectively.

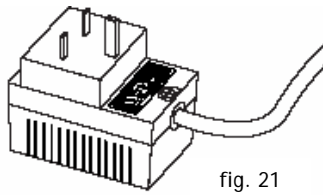


fig. 21

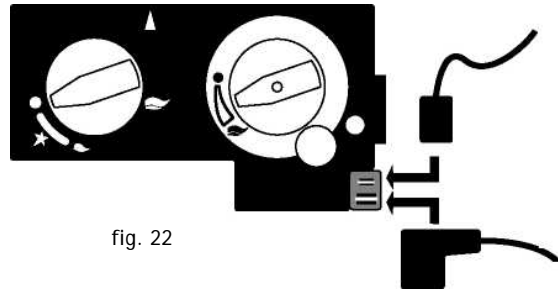


fig. 22

6.3.1 Installation remote control

1. Connect the mains adapter to the receiver box. The adapter is set to the correct voltage in the factory: 4.5 V.
2. Slide the receiver box into the holder.
3. Connect the wires to the gas valve (see fig. 22).
4. Check that there are batteries in the transmitter.
5. See "Replacing batteries", see chapter 10.4.4.
6. Set the on/off switch on the receiver to "on".

6.3.2 Setting the right transmission code

The receiver has to learn the code from the transmitter, which is already done at the factory. However the code disappears if the receiver is disconnected from the mains for a longer period.

1. Push the "mod" button on the receiver and hold it for 3 seconds.
2. The green control lamp will light up and stay on. Repeat this step if it doesn't.
3. Push a button on the remote control. The control lamp on the receiver should now go out.
4. Again push a button on the remote control. The lamp starts flashing and will switch off eventually.
5. The receiver now recognizes the remote control. The remote control now functions.
6. Check if you can hear a sound and the motor runs when you push a button on the remote control.

fig. 22

7 Commissioning (functional checks)

7.1 Check pilot ignition

1. Push in and turn the control knob A from ● anticlockwise to the 🔥 (small flame) setting. You will hear a tick meaning there is ignition. Hold the knob in and wait for a few seconds while the air is purged.
2. Bring the knob back in the start position and turn the knob several times to the 🔥 (large flame) position. Check that the pilot has lit.
3. Continue to hold in the control knob for a further ten seconds to ensure that the pilot flame is stable.
4. Release the knob. The pilot should remain alight.

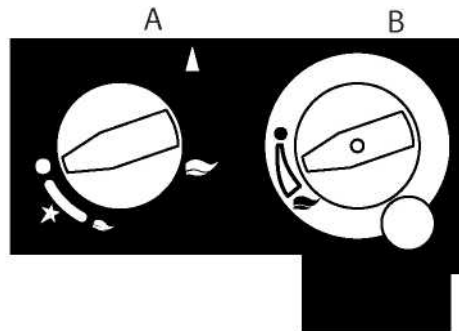


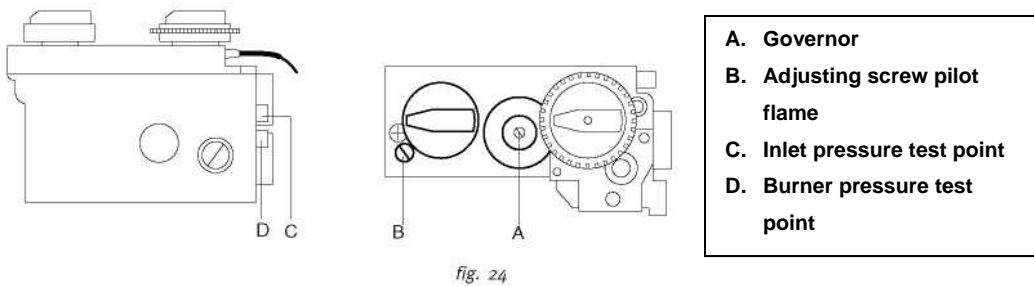
fig. 21

7.2 Functional burner check

1. Turn knob (B) to max. clockwise.
2. Turn the knob (A) more anticlockwise to the position 🔥 (large flame). Now it is possible to light the main burner.
3. Turn knob B anticlockwise to max. The main burner should light. Check for gas soundness at all joints with leak detection fluid!
4. Check the ignition of the main burner on low and high setting.
5. Turn knob B clockwise till ●. The main burner is off.
6. Turn the knob A to ●. The pilot should go out.

7.3 Functional balanced flue check

1. Set the appliance on max. input.
2. Verify the flame picture, this means no flames against the window, the flame have to come besides the logs, if not check the log layout.
3. Check if the flames are yellow after 10 minutes of operation. If you still have a blue flame or the appliance goes out, check:
 - If the flue pipes are fitted correctly (no leakage);
 - If the wall mounted terminal is placed with the correct side up;
 - If the maximum allowable length of the flue pipe was exceeded;
 - If the appliance has the right set up. Check the ;
 - If the correct flue restrictor is installed.



7.4 Check reference pressure and burner pressure

The appliance is preset to give the correct heat input. No further adjustment is necessary. Fit a pressure gauge at the burner pressure test point D to check the burner pressure. The pressure should be checked with the appliance alight and at max. input. The setting pressure should be as shown at the technical data. After checking the pressure, turn off the appliance. Remove the pressure gauge and close the sealing screw. Re-light the appliance. Turn to max. input and test around the test point D for gas soundness using a suitable leak detection fluid.

Measuring the reference pressure:

1. Turn off the gas valve on the appliance;
2. Turn the Inlet pressure test point C (see fig. 22) some and apply the (meetslang);
3. Check if the measured pressure is the same as the prescribed pressure;
4. Perform this measuring when the appliance burns on full capacity and when only the pilot ignition burns;
5. When the pressure is too low, check if the gas pipes are made of material wit the right diameter;
6. When the pressure is too high (more than 5 mBar) you can't install the appliance and you should contact your gas company;
7. Always check the burner pressure when the functional pressure is right. You can measure the burner pressure by using sensor D. The pressure should match the prescribed pressure. If this is not the case, then contactn the supplier.

Note: After checking the burner pressure, the Inlet pressure test point has to be shut and checked for gas-tightness.

8 *Final check and handing over*

- Instruct the customer on the full operation of the appliance.
- Advise the customer how to clean the appliance including the glass.
- Instruct the customer on the operation of the remote control, including the replacement of batteries and how to set the right transmissions code.
- Hand over these instructions including the user guide to the consumer.
- Recommend that the appliance should be serviced by a competent person at least once a year.

9 *Final check and handing over*

To ensure safe and efficient operation of the appliance, it is necessary to carry out routine servicing at regular intervals. It is recommended, that the fire is inspected/serviced by a competent person at least once a year.

Important: turn off the gas supply before commencing any servicing. Always test for gas soundness after refitting the appliance.

The appliance and the flue connection have to be checked for gas and smoke soundness after installation.

9.1 Routine servicing

1. Clean (if necessary):
 - the pilot system;
 - the burner;
 - the combustion chamber;
 - the glass.
2. Check the log lay and replace the embers (if applicable).
3. Do the functional test as described at page 34.
4. Check the flue system and terminal on damage and soundness (visual inspection)

9.1.1 Cleaning the glass

Depending on the intensity of use, you can get a deposit on the glass. Normally this can be removed with an ordinary dry towel. If necessary special ceramic glass cleaner (ceramic cook-top cleaner) can be used. To clean the glass:

1. Remove the glass as described in paragraph 4.5;
2. Clean the glass. Handle the glass with clean hands, wear gloves if possible;
3. To fit the glass, proceed in reverse order. Make sure that:
 - the log set has been installed correctly before fixing the glass.
 - the glass sealing rope is in good condition and makes an effective seal

- **Important:** be sure that there are no fingerprints on the glass. It is not possible to remove those prints after you burn the appliance for a while (they are burnt in).

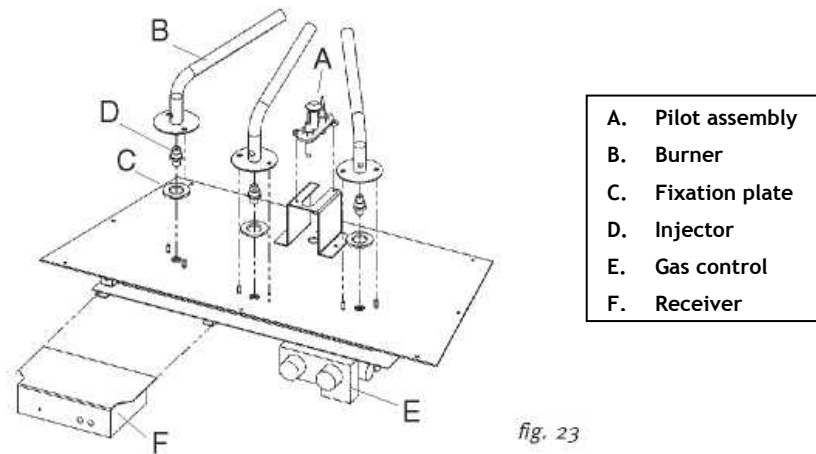
9.1.2 Cleaning the combustion chamber and burner

1. Carefully remove the logs.
2. You can clean the combustion chamber with a vacuum cleaner.
3. Place back the logs as described in paragraph 4.6.

If the burner is visibly damaged, this can affect the distribution of the flame. If so, then replace the burner.

9.1.3 Burner tray (dis)assembly

1. Break the gas supply at the control valve;
2. Remove the glass, the log set, grid and burner tray cover;
3. Detach the gas connection at the 8 mm nut and olive;
4. Unscrew the burner assembly and take them out of the combustion chamber.



9.1.4 Gas control block

1. Unscrew the pilot system from the support;
2. Unscrew and remove the pilot system from the burner plate;
3. Disconnect the ignition/spark cable (bougiekabel);
4. Disconnect the thermocouple from the pilot system;
5. Disconnect the gas connection from the pilot system. Mind the injector: it is unattached;
6. The pilot system can now be removed;
7. To assemble the pilot system again, follow the steps above in reversed order.

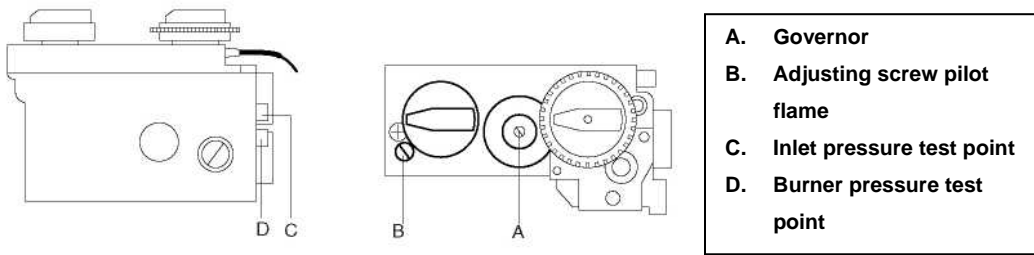


fig. 24

9.2 Propane conversion

For conversion from propane to natural gas, you have to order a complete new propane burner unit. Contact your supplier and give the serial number from the data plate when you order.

9.3 Combustion tests

A BS7967 combustion analysis check should be carried out using an analyser to BS7927 positioned in the flue outlet.

A Ratio of CO/CO₂ should be less than 0.01 within 30 minutes. (100 ppm CO per 1% CO₂).

A reading of CO in the room centre should give a rise of less than 9ppm over ambient, peak reading.

9.4 List of spare parts

	Whisper	Pure (BF80S)	Feeling	Sense	Silence	Spectra Nova	Cadra Nova
Description	Nr	Nr	Nr	Nr	Nr	Nr	Nr
Surround	A9271453	90847748	A92700xx	A92766xx	A92766xx	A92741xx	A92700xx
Glass	04508200	04510600	04508300	04508300	04508300	04509500	04509300
Glas below	X	X	X	X	X	04509600	04509400
Burner NG	20521405	20521808	20525905	20525705	20525905	20521405	20522605
Burner Propane	x	20521835	x	x	x	x	x
Log set	20773200	20796900	20794500	20794500	20794500	20773200	20794500
Receiver	20604000	20604000	20604000	20604000	20604000	20604000	20604000
Remote control	20603900	20603900	20603900	20603900	20603900	20603900	20603900
Adapter	20900142	20900142	20900142	20900142	20900142	20900142	20900142
Motor remote control	37003086	37003086	37003086	37003086	37003086	37003086	37003086
Spark wire	06014500	06017300	06014500	06014500	06014500	06014500	06014500
Spark electrode	x	06006600	x	x	x	x	x
Oxypilot	37001042	x	37001042	37001042	37001042	37001042	37001042
Pilot burner assembly NG	X	20900145	x	x	x	x	x
Thermocouple	x	20900154	x	x	x	x	X
Embers	20793400	20900019	20793400	20793400	20793400	20793400	20793400
Lack spray for comb. chamber	09000008	09000008	09000008	09000008	09000008	09000008	09000008
Set of glass clips	20900008	20900008	20900008	20900008	20900008	X	X
Touch Latch assembly	28103900	28103900	28103900	X	28103900	X	x

Silence/Feeling Country Category Type		UK/IRL II2H3+ C11 of C31	UK/IRL II2H3+ C11 of C31
Type of gas		G20	G30
Heat input Hi (net)	[kW]	7,5	7,2
Efficiency class		2	2
NOX class		4	4
Inlet pressure	[mbar]	20	30/37
gas rate (15° C en 1013 mbar)	[l/h]	740	231
(Bij 15° C en 1013 mbar)			540 gram
Reference burner pressure	[mbar]	17	22
Injector size	[mm]	3x1.45 and 1x1,3	3 x 1,00
Reduced input restrictor	[mm]	1,8	1,1
Pilot assembly			
Type		SIT 160	SIT 160
code		Nr 51	Nr 30
Flue system			
MV size		100-150	100-150
Preinstalled flue restrictor	mm	30	30
Gas control		GV36-C5AOEHC68M	GV36-C5AODHC68M
Remote control			
Voltage adapter	V	4,5	4,5
Batteries remote control		2x LR03 1.5V Alkaline	2x LR03 1.5V Alkaline
Gas connection		8 mm nut and olive	8 mm nut and olive

Dimensions: see table 1

**MV 100 Whisper / Spectra-nova / Pure
(BF80S)**

Country Category Type		UK/IRL II2H3+ C11 of C31	UK/IRL II2H3+ C11 of C31
Type of gas		G20	G30
Heat input Hi (net)	[kW]	7,5	7,5
Efficiency class		2	2
NOX class		4	4
Working pressure	[mbar]	20	30/37
gas rate (15° C en 1013 mbar)	[l/h]	790	231
(Bij 15° C en 1013 mbar)			540 gram
Setting pressure	[mbar]	17	22
Injector size	[mm]	2x1.40 1x1,30	3 x 1,00
Reduced input restrictor	[mm]	1,8	1,1
Pilot assembly			
Type		SIT 160	SIT 160
code		Nr 51	Nr 30
Flue system			
MV size		100-150	100-150
Preinstalled flue restrictor	mm	30	30
Gas control		GV36-C5AOEHC68M	GV36-C5AODHC68M
Remote control			
Voltage adapter	V	4,5	4,5
Batteries remote control		2x LR03 1.5V Alkaline	2x LR03 1.5V Alkaline
Gas connection		8 mm nut and olive	8 mm nut and olive
Dimensions: see table 1			

MV 150 Cadra Nova			
Country		UK/IRL	UK/IRL
Category		II2H3+	II2H3+
Type		C11 of C31	C11 of C31
Type of gas		G20	G30
Heat input Hi (net)	[kW]	7,5	7,5
Efficiency class		2	2
NOX class		4	4
Working pressure	[mbar]	20	30/37
gas rate (15° C en 1013 mbar)	[l/h]	800	231
(Bij 15° C en 1013 mbar)			540 gram
Setting pressure	[mbar]	13	25
Injector size	[mm]	3x1.50	3 x 0,90
Reduced input restrictor	[mm]	1,8	1,1
Pilot assembly			
Type		SIT 160	SIT 160
code		Nr 51	Nr 30
Flue system			
MV size		100-150	100-150
Preinstalled flue restrictor	mm	30	30
Gas control		GV36-C5AOEHC68M	GV36-C5AODHC68M
Remote control			
Voltage adapter	V	4,5	4,5
Batteries remote control		2x LR03 1.5V Alkaline	2x LR03 1.5V Alkaline
Gas connection		8 mm nut and olive	8 mm nut and olive
Dimensions: see table 1			

Roundscreen Misty			
Country		UK/IRL	UK/IRL
Category		I12H3+	I12H3+
Type		C11 of C31	C11 of C31
Type of gas		G20	G30
Heat input Hi (net)	[kW]	8,5	8,5
Efficiency class		2	2
NOX class		4	4
Working pressure	[mbar]	20	30/37
gas rate (15° C en 1013 mbar)	[l/h]	900	231
(Bij 15° C en 1013 mbar)			540 gram
Setting pressure	[mbar]	16	25
Injector size	[mm]	3x1.50	3 x 0,95
Reduced input restrictor	[mm]	1,8	1,1
Pilot assembly			
Type		SIT 160	SIT 160
code		Nr 51	Nr 30
Flue system			
MV size		100-150	100-150
Preinstalled flue restrictor	mm	30	30
Gas control		GV36-C5AOEHC68M	GV36-C5AODHC68M
Remote control			
Voltage adapter	V	4,5	4,5
Batteries remote control		2x LR03 1.5V Alkaline	2x LR03 1.5V Alkaline
Gas connection		8 mm nut and olive	8 mm nut and olive
Dimensions: see table 1			

[User guide]

10 Safety instructions for the user

10.1 General safety instructions

- These instructions should be read carefully and retained for future reference.
- Do not place flammable materials in the combustion chamber.
- If a gas leak is found or suspected, turn off the gas supply at the meter and contact your installer or gas emergency service.
- Do not use the fire with a broken or damaged glass.
- The fire has a safety device which turns off the gas supply if there is a build up from flue gasses in the combustion room or a temporary gas cut-off. Wait at least 5 minutes before turning the appliance on again.
- Contact a qualified installer when the appliance goes off regularly.
- The appliance has been designed for heating purposes. This means that all surfaces, including the glass, can become very warm (over 100 °C). An exception to this is the lower side of the door and the control buttons.
- Due to the newness of materials, they may give off a slight smell for a period after initial lighting. This is normal, odours will disperse after a few hours use.
- Do not place curtains, clothing, laundry, furniture or other flammable materials nearby the appliance. The required minimum distance is 100 cm.
- Switch off the receiver of the remote control if you don't use the fire for a long time. Do not let children use the remote control without supervision.
- Children should only use the remote control under supervision.

IMPORTANT

A suitable Fireguard conforming to BS6539 and BS6778 should be used with this appliance to protect children, the elderly or infirm. Care should also be taken with pets.

In your own interest and that of safety, all gas appliances must be installed by competent persons. Installation must be in accordance with National Regulations. CORGI registered installers are required to work to recognised standards.

Note:

Since the appliance is a source of heat, circulation of air occurs. Therefore it is of importance that you do not use the appliance shortly after a renovation of the home. Because of the natural circulation of air, moist and volatile components from paint, building materials, carpet etc. will be attracted. These components can settle themselves down onto cold surfaces in the form of soot. As on all heat producing appliances, soft furnishings such as blown vinyl wallpaper placed too near to the appliance may become scorched or discoloured. This should be born in mind when installing the appliance.

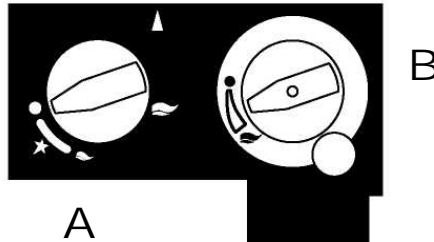
11 Controlling the appliance

11.1 General

If the main burner or pilot light are extinguished for any reason, **do not attempt to relight the pilot within 5 minutes**. Contact a qualified installer when the appliance goes off regularly.

With control button A you can light the pilot. With the control button B you can adjust the height of the flames (see figure). All Natural Fire models feature a remote control which controls the height of the flames.

fig. 25 Gas control box



Knob A

The ● is the OFF position preventing any gas from passing through the control valve. By pressing the knob in it is possible to turn it anti-clockwise. The first function is to turn on the gas to the pilot- this occurs just before reaching the ★ position (if the fire has not been lit for some time it may be necessary to hold the knob in this position for some seconds to clear the air from the pipe and allow gas to reach the pilot burner). Once gas is available at the pilot, continued rotation anti-clockwise will cause the piezo igniter to spark. This is accompanied by a click at the valve and should result in the pilot burner igniting. Once the pilot is lit, the control knob should be held pressed in for 10 seconds. In this time the pilot flame will have heated the flame supervision thermocouple sufficiently to operate a hold-on magnet within the valve. Now turn the control knob A to the 🔥 position. This allows gas to enter control knob B.

Knob B

The ● is the OFF position preventing gas entering the main burner if the pilot is lit. The knob should be turned slowly anticlockwise. This allows gas to enter the burner and be ignited by the pilot flame. Once ignition has taken place, the fire may be set to any level between min. and max. by adjusting the control knob B.

11.2 To light

1. Push in and turn the control knob (A) from ● anticlockwise to the setting (small flame). You will hear a ignition click. Check that the pilot is lit (if not, repeat).
2. Continue to hold in the control knob for a further ten seconds to ensure that the pilot flame is stable.
3. Release the knob. The pilot should remain alight.
4. Turn the control knob A to the 🔥 position.
5. Turn knob B slowly anticlockwise, the fire should then ignite.
6. Adjust flames to the required level.

11.3 To extinguish

1. For the main burner turn the control knob B clockwise to position ●.
2. To disable knob B turn knob A to the 🔥 position.
3. To extinguish the pilot turn control knob A to position ●, although it is in order to leave the pilot permanently lit.

11.3.1 When the pilot extinguishes

Warning! When the pilot extinguishes you should wait at least 5 minutes before trying to turn it on again. Possible causes can be:

- Operating error.
- Interference of the safety device.
- Failure in the pilot flame system.

Contact a qualified installer when the appliance goes off regularly.

11.4 Remote control versions



The remote control is only meant to regulate the flames from 'off' till 'max.'. It functions only when the pilot burner is ignited and knob A is in (big flame) position. It is therefore not possible to ignite the pilot flame with the remote control or to extinguish the pilot flame.

Note: The radio-frequency remote control is intended for fireplaces installed in a domestic setting in all EU countries except Austria, Denmark, Finland, and Greece.

Features:

- Manual control will always remain possible;
- The remote control is a radio frequency type and is internationally approved;
- The remote control generates a unique safety code every time you activate the transmitter, its similar to those used in a car;
- The remote control is easy to install retrospectively.

11.4.1 Using the remote control

1. Light the appliance as described in 10.2;
2. Set the on/off switch on the receiver to "on" and control the flames:
 - Low flame 
 - High flame 
3. Use (high) and (low) to achieve the desired heating and flame effect;
4. You will hear a beep every time the receiver recognises a signal. (If not, see 10.4.3, setting the right transmission code);
5. When the fire is not be used for a prolonged period, turn off the pilot (see 10.4.2). If the appliance is not used for an extensive period of time, it can be necessary to set the right transmission code again.

11.4.2 Setting the right transmission code

The receiver has to learn the code from the transmitter. This has already been done at the factory. However, the code disappears if the receiver is disconnected for a longer period of time.

1. Set the on/off switch on the receiver to "on";
2. Hold the "mod" button on the receiver for 3 seconds;

3. The green control lamp will light up and stay on. Repeat this step if it doesn't;
4. Push a button on the remote control. The control lamp on the receiver should now go out;
5. Again push a button on the remote control. The lamp starts flashing and will switch off eventually;
6. The receiver now recognizes the remote control. The remote control now functions;
7. Check if you can hear a sound and the motor runs when you push a button on the remote control.

11.4.3 Changing the batteries

The life span of the batteries in the remote control is ± 1 year, depending on the frequency of use. There is no risk of electric shock as the low voltage supply is similar to that used in torches. Always turn off the appliance before changing batteries.

Remote control

1. Remove the cover on the back of the remote control;
2. Carefully remove the battery clip along the side. Pay attention not to pull the wires;
3. If necessary, remove the old batteries and place the new ones:
 - 2x LR03 /AAA Alkaline long life 1.5 V.
4. Click the battery clip into the remote control and close the cover;
5. It might be possible that you have to set the transmission code after changing the batteries (see 10.4.3).

Note: Batteries are chemical waste and should be disposed in accordance with local regulations.

fig. 27 Rear of remote control



12 *Cleaning and service instructions*

Important:

Turn off the fire and allow it to cool down before commencing cleaning. It is recommended that the fire is inspected/serviced, by a competent person at least once a year. To maintain the finish on the trim wipe with soft damp cloth only. Do not use abrasive cleaners, polish or solvents as these can damage the surface finish.

Cleaning the glass:

- To remove the glass to clean it, follow the steps described in paragraph 4.5;
- To clean the glass, follow the steps and suggestions described in paragraph 8.1.1;
- Be sure that there are no fingerprints on the glass. It is not possible to remove those prints after you burn the appliance for a while (they are burnt in).

13 Disposal of packaging and appliance

The appliance packaging is recyclable. The packaging could include the following materials:

- Cardboard;
- CFC-free foam (soft);
- Wood;
- Plastic;
- Paper;
- Batteries.

These materials should be disposed responsibly and in conformity with government regulations.

Batteries are considered chemical waste. The batteries should be disposed of responsibly and in conformity with government regulations. Remove the batteries before disposing of the remote control.

Information on how to responsibly dispose of discarded appliances can be obtained from the local authorities.



Saturnus 8 NL - 8448 CC Heerenveen

P.O. Box 219 NL - 8440 AE Heerenveen

T. +31(0)513 656500

F. +31(0)513 656501